



Technical Documentation

UGE SANYA SLS Specifications

Document Number (s): UGE-SLS-SPC-001

Original Date: July 19, 2012

Revised On: September 25, 2013

Version: 1.4

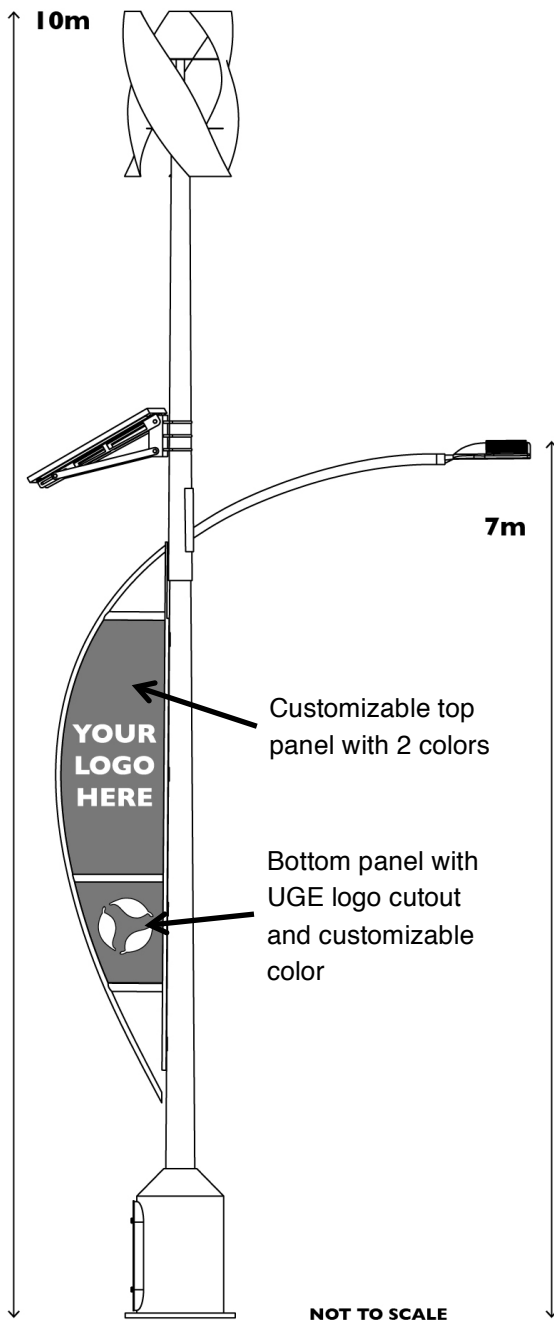
Completed by: WY

Checked by: JATG

Please note that our documents are regularly updated. You may verify the validity of this document by visiting: www.urbangreenenergy.com/documents



UGE SANYA SLS Street Light Specifications



Wind Power

Turbine Model	UGE-HoYi!
Rated Power Output	200 W
Rated Wind Speed	12 m/s [27 mph]
Survival Wind Speed	50 m/s [110 mph]

Solar Power

Rated Power Output	250 W
Number of Panels	1
Dimensions	1640 mm x 992 mm x 50 mm [64.6 in x 39.1 in x 2.0 in]

Lighting

Light Type	LED
Rated Power Output	84W
Rated Voltage Input	24 Vdc
Lumen Output	6303 lm
Dimensions	615 mm x 400 mm x 115 mm [24.2 in x 15.7 in x 4.5 in]

Electronics

Controller Model	UGE-SLS-OGCH
Controller Output Voltage	24 Vdc
Recommended Battery Capacity	150 Ah

Tower

Design features	Electronics enclosure / Customizable sail
Height (with turbine)	10 m [32'-10"]
Enclosure Size	85 cm x Ø60 cm [33.5 in x Ø23.6 in]